

## Norpass - Controller Setup, Single Reader, Free Exit, Door Strike

### Application:

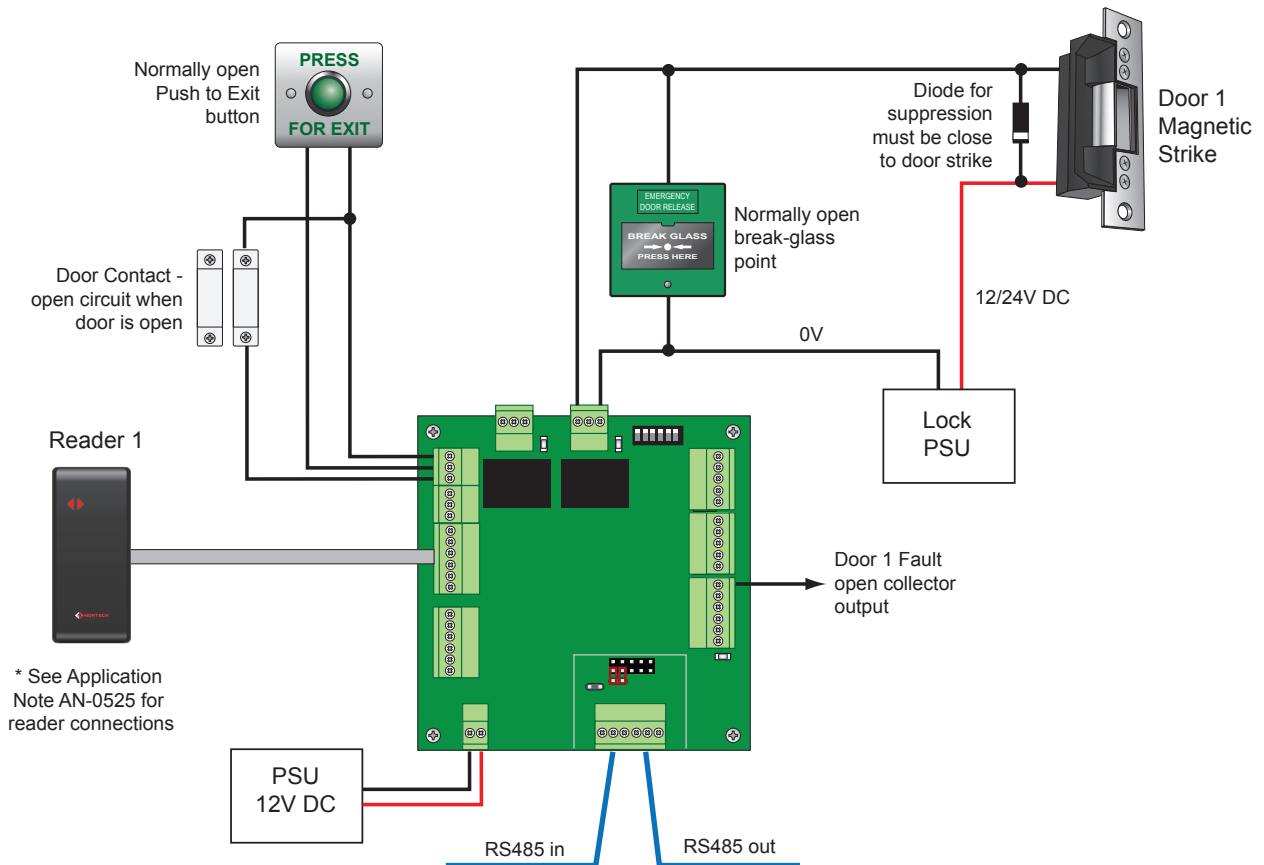
Set-up and configuration of a single door with read-in and push-button exit using a fail-secure electric door strike device.

### Scope

This note describes how to configure access control for a single door using one of the two available reader interfaces on a CRC220 PCB (can also be set up on a CRC221, if required). The second reader interface on a CRC220 can be used for access control on a separate single door (see AN-0503).

Features such as anti-timeback, 'buddy mode' and 'PIN and Prox' may be applied to the door but are not covered here. Separate application notes are available for setting these features.

### Hardware Configuration



### Notes:

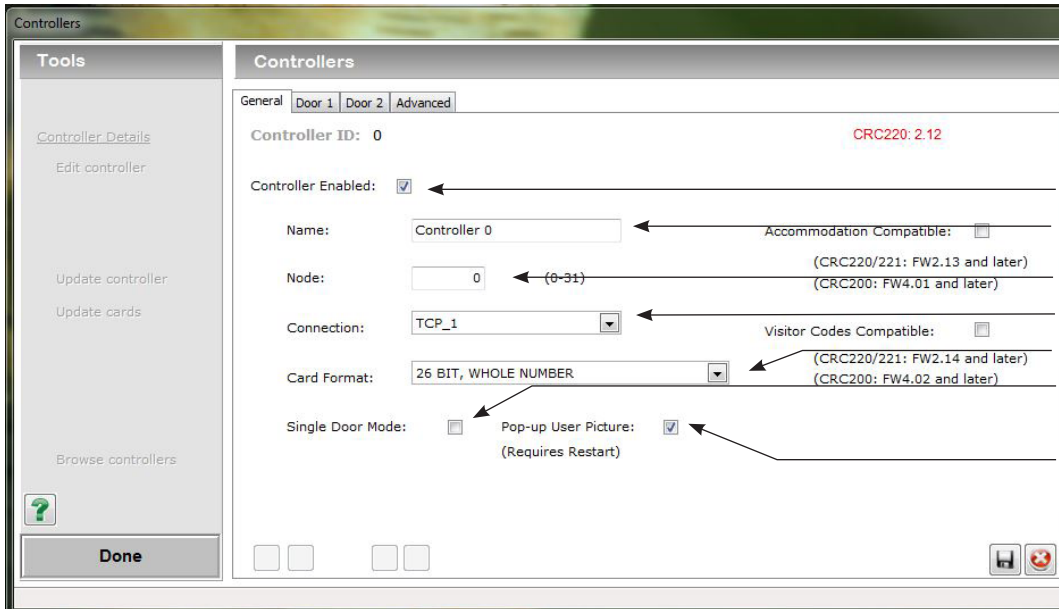
1. The door strike power rating must not exceed 30V, 1A.
2. Failure to fit suppression at the lock could result in failure of the system. The potential faults include problematic communications, memory loss, erratic system behaviour and permanent damage to the relays. These faults will not be covered by our standard warranty.
3. For details of wiring the alarm output, RS485, arming, fire alarm or reader, please see the relevant application notes or manuals.
4. The PSU enclosure and mains connection have been omitted for clarity.
5. The wiring shown is for a fail-secure lock. For fail-safe, use the wiring shown in application note AN-NP001 (maglock).

## Set-up

Log on to Norpass3 with installer rights. Select 'Controllers' from the 'Installer' menu.

**Note:** If the controller has already been enabled, you have the option to right-click the associated icon in left pane of the main screen and then select 'controller set-up'.

Select 'Edit Controller' and then carry out the following:



Enable the controller

Give it a meaningful name

Set the node (if required)

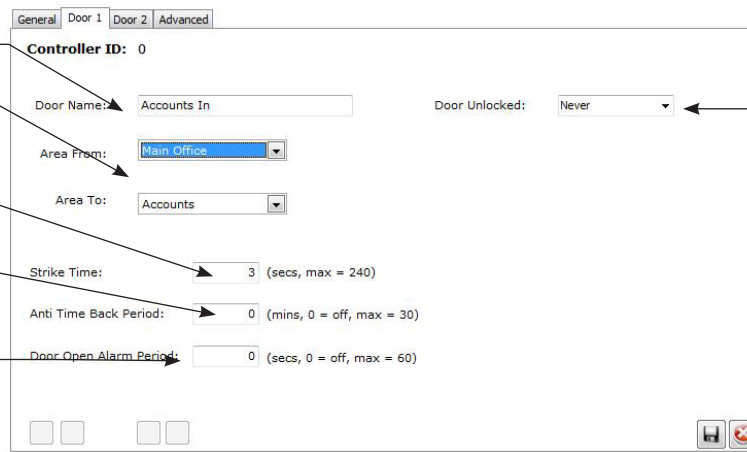
Choose the communication port

Select the card format

Do not select 'Single door mode' (CRC220 only)

Picture pop-up can be selected if required

Select 'Door 1' tab:



Give the door a meaningful name

Select the 'area to' and 'area from' (used for reporting only)

Set the strike time in seconds (this is the time the door will remain unlocked for)

Leave this setting at '0' if you don't require anti-timeback

Set the Door Open Alarm Period in seconds (this is the amount of time the door can be held open for once it has been unlocked).

If the door needs to be left unlocked for periods of time to allow staff or public to move quickly through it, then this can be achieved by setting 'Door unlocked' to something other than 'Never'

Do not configure any of the settings under the 'Advanced' tab, but check that the 'Anti-passback' box is not ticked. Also check that the 'Buddy Mode' box is not ticked if the feature is not required. If you do wish to configure any advanced features, refer to the associated application notes.

Save the settings and exit the 'Controllers' window. If the controller is online, this will update the controller automatically. If the controller is not currently online, you will need to return and click 'update controller' when it is online.

## Related Application Notes:

AN-0503-Two Doors Mag Lock

AN-0525-Connecting Nortech Readers