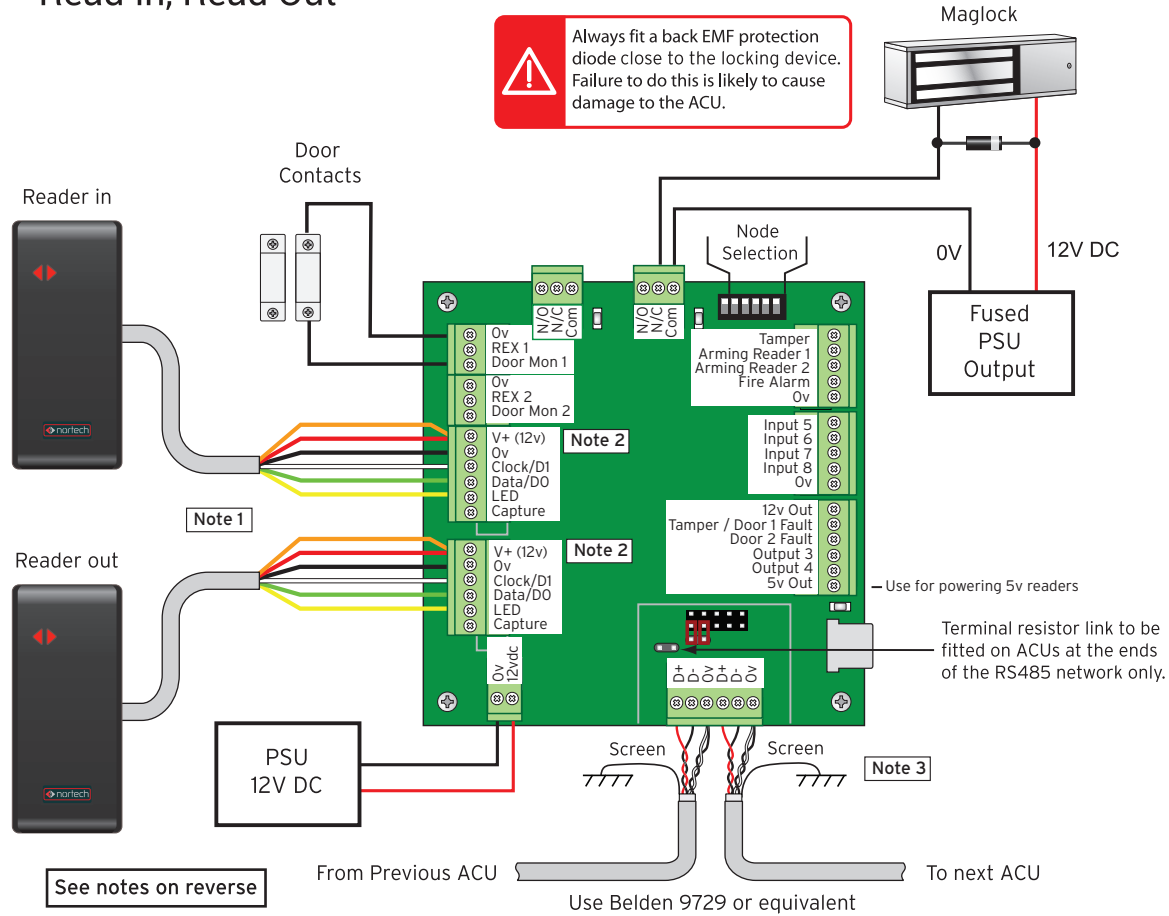


Read-in, Read Out

⚠ Always fit a back EMF protection diode close to the locking device. Failure to do this is likely to cause damage to the ACU.





Wiring a CRC22x Access Control Unit

Read-in, Read Out

Notes:

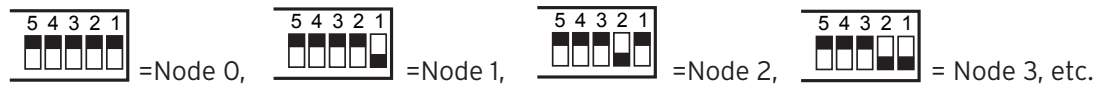
1. The reader wiring shown is for a standard format Nortech reader (MP1-EM1-0000) configured for Wiegand format. For other readers, refer to the reader manual.
2. The power supply to readers at the reader interfaces is fixed at 12v dc. Ensure that this is appropriate for the reader(s) that you wish to connect to the controller. If the reader requires a 5v dc supply, connect the +v power lead to the 5v pin on the opposite edge of the PCB.
3. The maximum distance between 1st and last device = 1,200m.

Use 2 twisted pair screened cable such as Belden 9729. Use 1 twisted pair for D+ and D- and the other twisted pair for signal ground. Connect the screen to ground at one end only.

Other twisted pair screened cables such as CAT5 may be used as long as all unused pairs are connected to ground at one end (same as screen).

Node Selection

DIP Switches 1 to 5 are used to set the node address in binary format:



DOC0056 V3.0